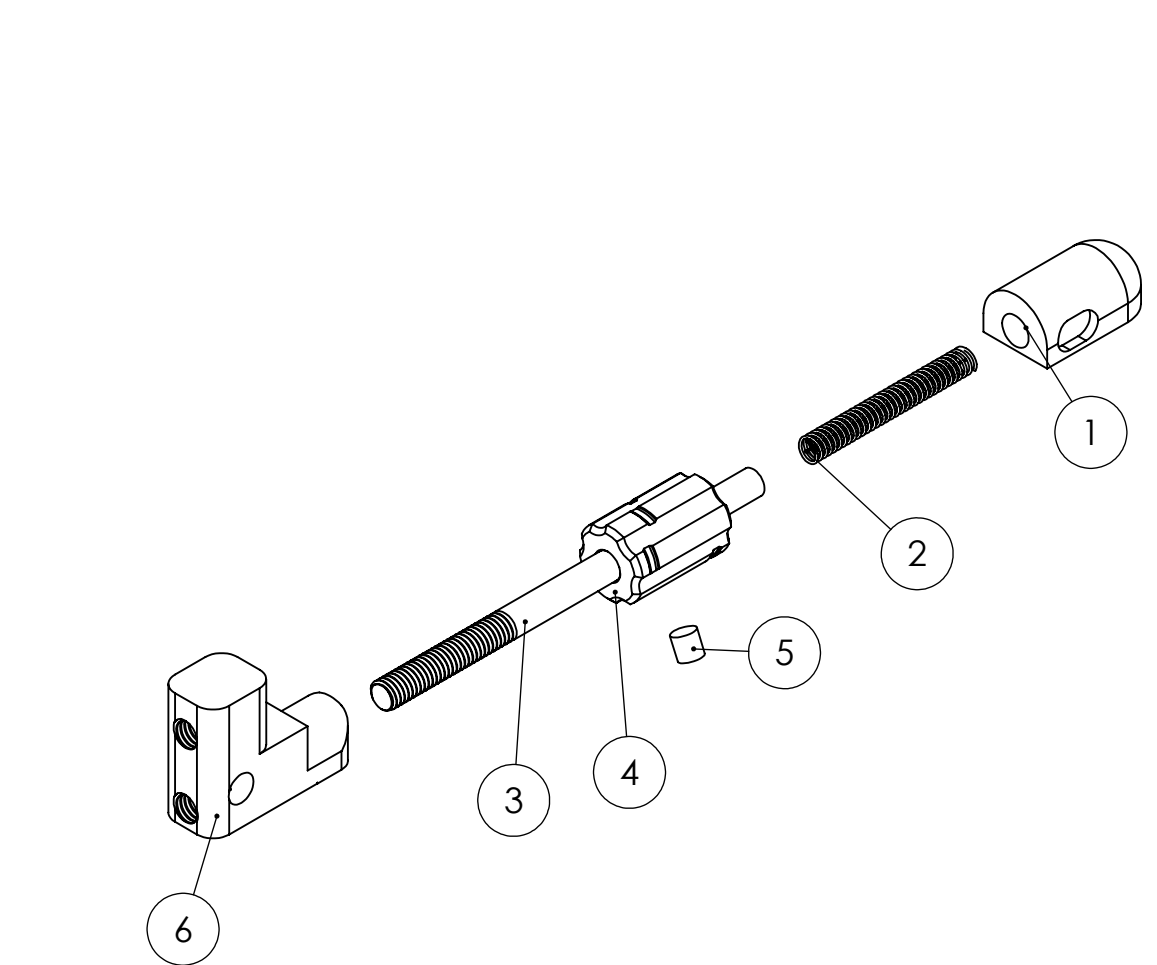
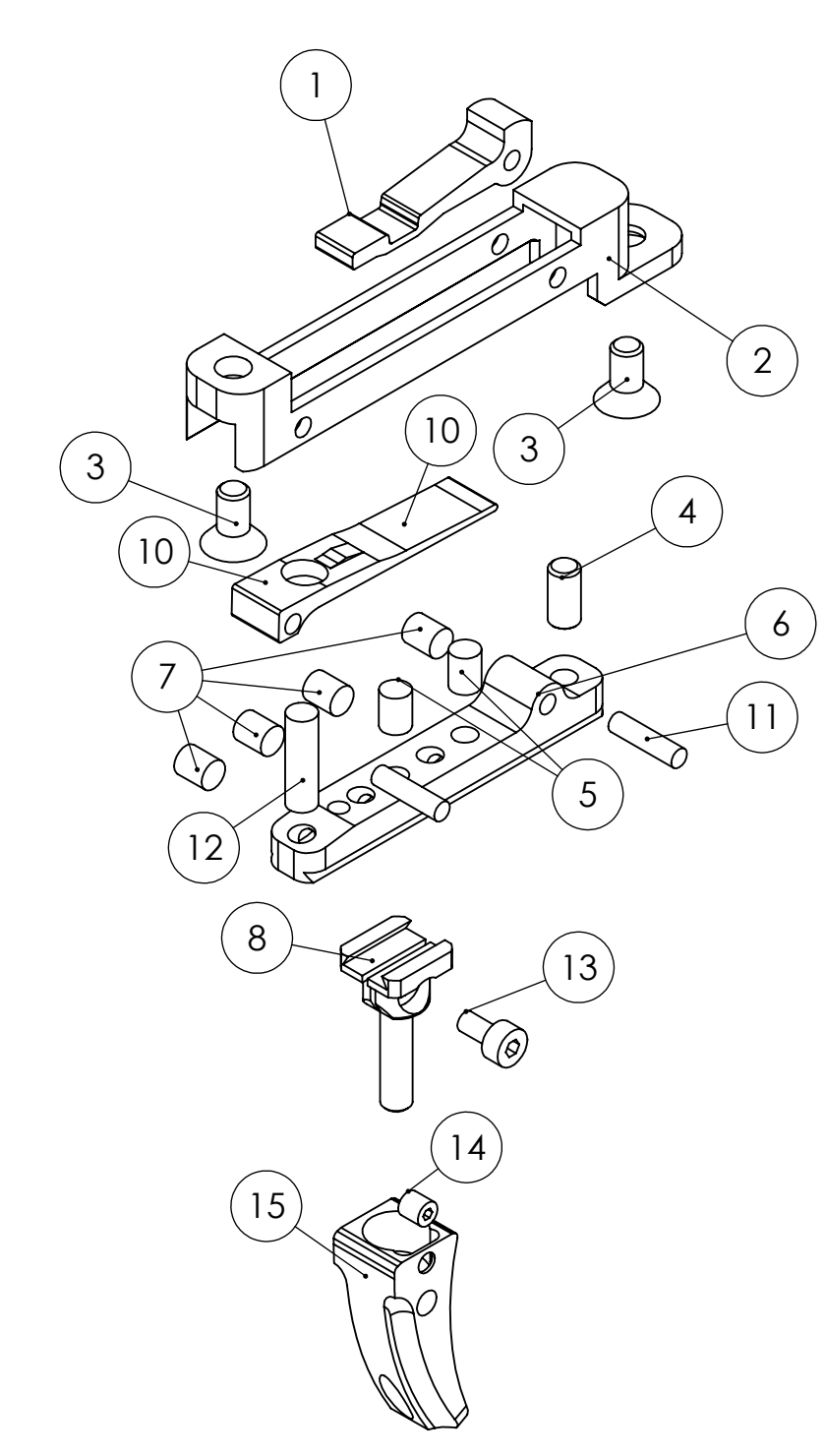
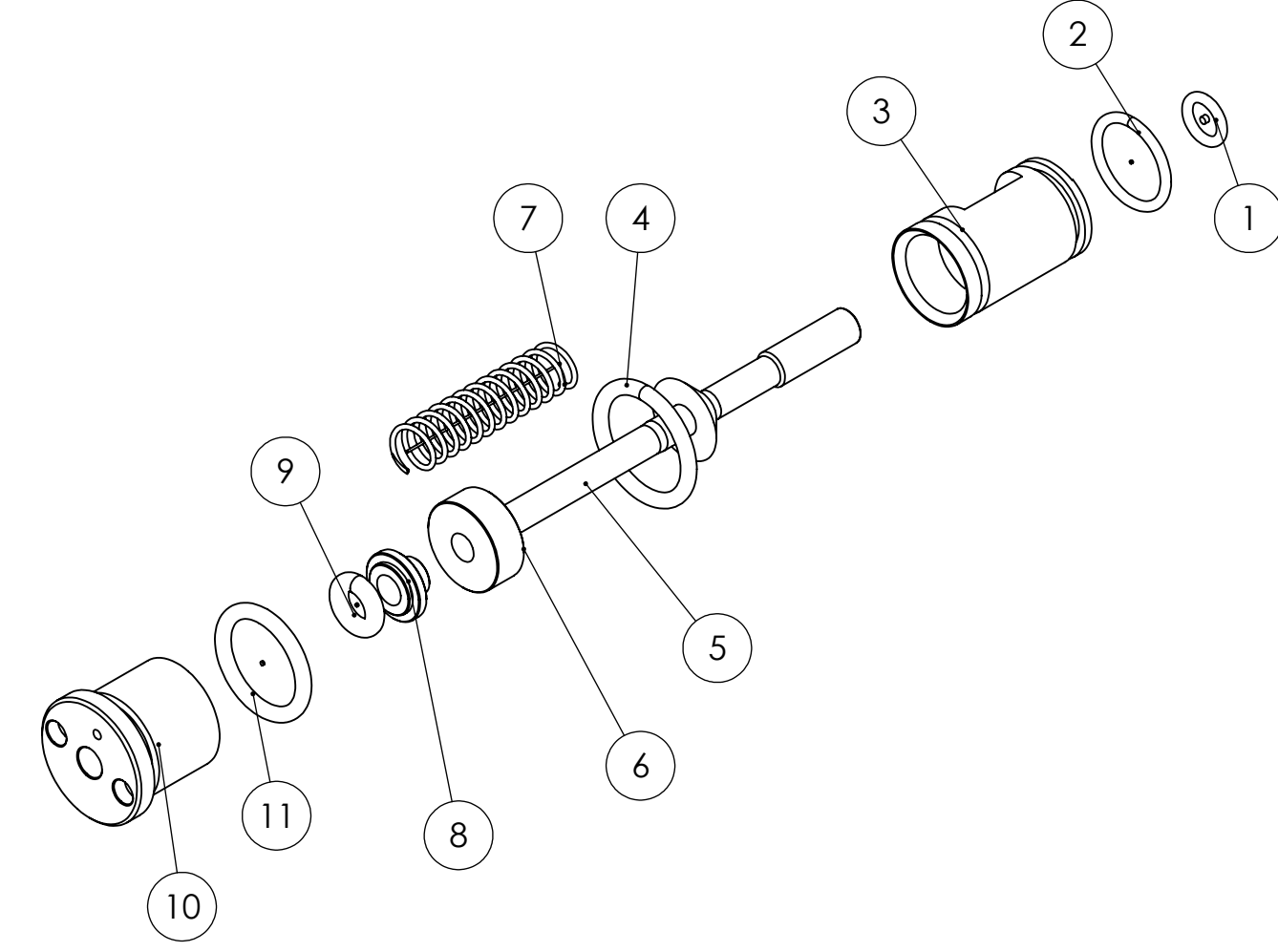
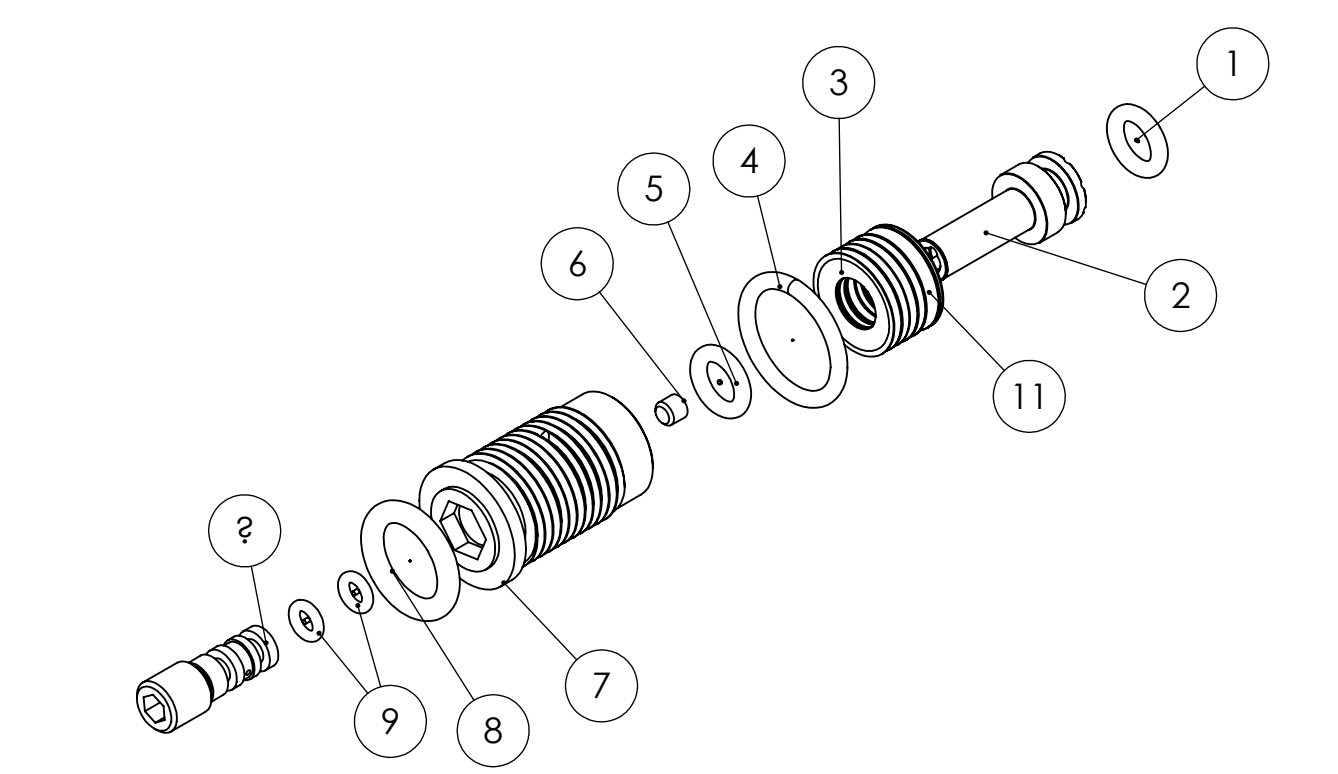
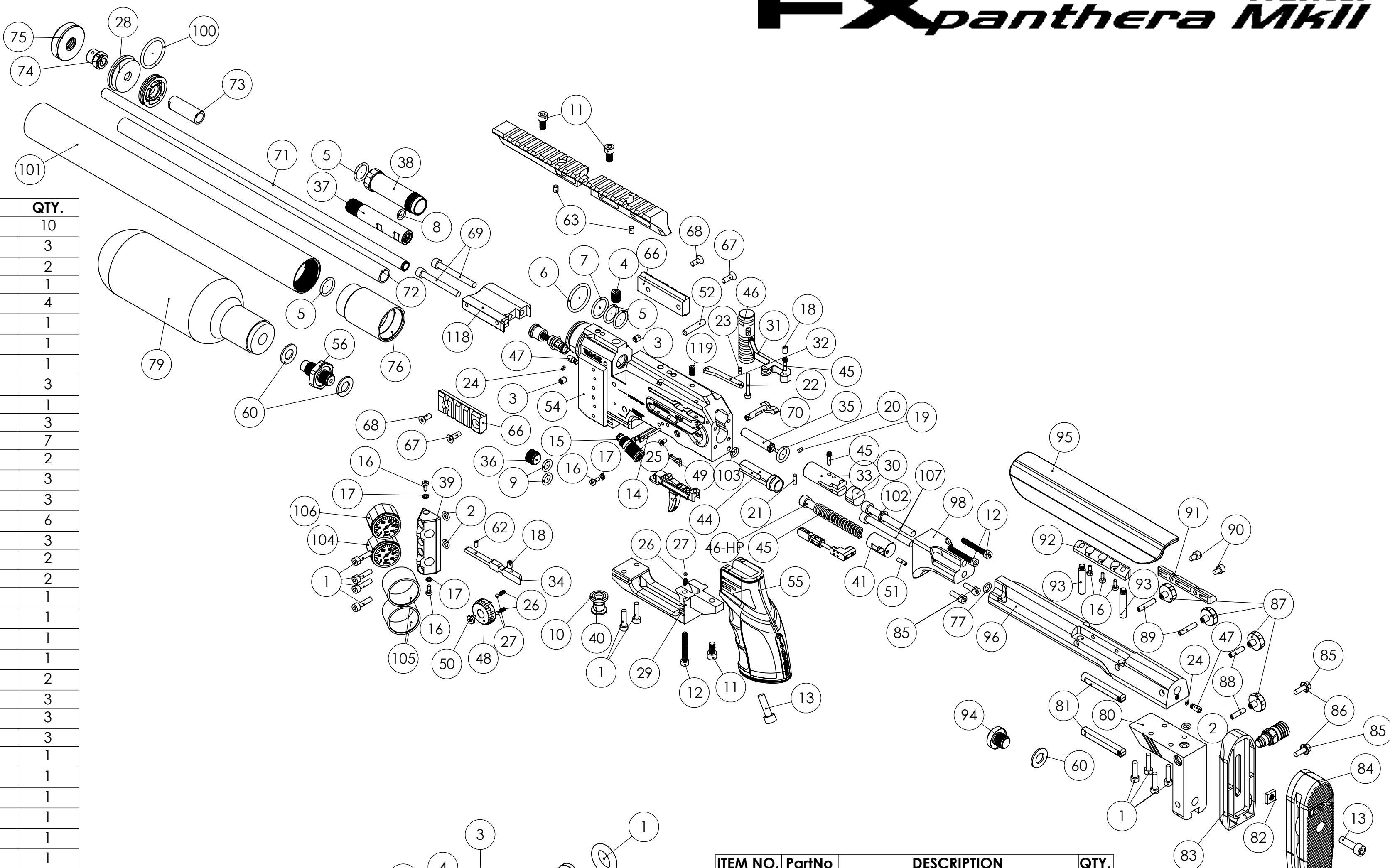


ITEM NO.	PartNo	DESCRIPTION	QTY.
1	5201	Socket head cap screw M4x16	10
2	19726	O-ring 5,5x1,5 NBR70	3
3	19114	Grub screw M5x6 flat	2
4	11532	Grub screw M8x10	1
5	19950	O-ring 14,0 x 2,0 NBR 70	4
6	19485	O-ring 23,0x2,5 NBR 70	1
7	5178	O-ring 16,5x2 NBR90	1
8	19209	O-ring 7,5x1,5 NBR 70	1
9	19835	O-ring 8x2 NBR 70	3
10	1511	Washer rubber/steel 1/8"	1
11	5173	Socket head screw M5x10	3
12	2536	Screw M4x30	7
13	19743	screw M6x20 Socket head cap	2
14	11502	Cylindrical pin 2h6x20	3
15	2562	Cup point grub screw M3x3	3
16	19715	Socket head cap screw M3x5	6
17	19736	Plastic Washer 5,3x3,1x1	3
18	2501	Cup point grub screw M4x6	2
19	16092	Grub screw M3x4	2
20	5159	O-ring 10,6x2,4 NBR 70	1
21	11509	Cylindrical pin 3h6x10	1
22	19740	Socket head cap screw M3x22	1
23	19026	Cylindrical pin 2,5m6x6	1
24	19761	O-ring 2,2x1 NBR 70	2
25	2504	Countersunk screw M3x6	3
26	11501	Spring 0,5x2,5x6,1	3
27	4066	Steel ball 3mm	3
28	20944	Shroud Muzzle Cap Dynamic	1
29	20912	Trigger Guard Dynamic Mk2	1
30	20913	Reloading Protection	1
31	20914	Sidelever Dynamic	1
32	20915	Linkage Dynamic	1
33	20916	Carrier Dynamic	1
34	20917	Sidelever Slot Cover Dynamic	1
35	Support page	See Schematic	1
36	20927	Plug M12 Dynamic	2
37	Support Page	See schematic	1
38	20933	Barrelsupport Dynamic	1
39	20986	Angled Mount (Dual) Dynamic	1
40	10294	Plug for manometer Impact M3	1
41	20951	Spring Guide Dynamic	1
45	11500	Hammerspring	1
46-HP	11540	Hammer weight	1
44	19039	Hammer V7	1
45	20946	Carrier Screw Dynamic	2
46	10301	Side lever handle Impact M3	1
47	10335	Brass adapter Impact M3	2
48	20735	Power adjuster Impact M4	1
49	21093	Trigger Sear Dreamline, Crown 2023	1
50	21068	Power adjuster screw	1
51	11508	Grub screw M3x10	1
52	2566	screw M5x25 Cup point grub	1
53	21120	Frontstock Dynamic Mk2	1
54	21124	Main Block Dynamic Mk2	1
55	21670	Grip	1
56	20983	Air Cylinder Connector Dynamic	3
57	2510	screw M5x30 Socket head cap	1
58	5205	Socket head cap screw M4x20	1
59	21131	M5x15 Dynamic Mk2	2
60	11507	Rubber/Steel Washer	6
61	12035	Grub screw M2,5x2,5	1
62	19678	Conical grub screw M3x6	1
63	21132	Cylindrical pin 4m6x6	2
64	19582	Magazinespring Wildcat	1
65	15032	Socket head cap screw M4x8	1
66	20998	Picatinny Tactical Dynamic	2
67	5225	screw M4x12 Countersunk	2
68	2505	Countersunk screw M4x10	2
69	2512	screw M5x45 Socket head cap	2
70	10336	Safety Impact M3	1
71	Support Page	See schematic	1
72	Support Page	See schematic	1
73	Support Page	See schematic	1
74	Support Page	See schematic	1
75	20945	Muzzle Thread Cover Dynamic	1
76	20971	Plenum End 12ft Dynamic	1
77	5125	O-ring 6,5 x 1,5 NBR 70	1
78	14000	Air bottle steel end	1
79	5541	Tube/ Bottle Carbonfiber 300cc	2
80	20902	Recoilpad L-Mount Dynamic Mk2	1
81	20908	Recoilpad Guide Pin Dynamic	2
82	5176	Square Nut M6 Stainless Steel	1
83	20901	Recoilpad Mount Dynamic	1
84	20900	Recoilpad Dynamic	1
85	16123	Screw M4x12	4
86	2570	Washer 10x4,2x0,5	2
87	20948	Cheek Piece Locking Knob Dynamic	4
88	5175	Grubscrew M4x16	2
89	5174	screw M4x20 grub	2
90	5230	Screw M4x6	2
91	20950	Cheek Piece Cover Release Cover Dynamic	1
92	20977	Cheek Piece Mount Dynamic	1
93	20949	Cheek Piece Bar Dynamic	2
94	20989	Connectorplug Dynamic	1
95	21912	Cheekrest piece Tiger	1
96	20906	Rear Stock Dynamic Mk2	1
97	21129	Bagrider Dynamic Mk2	1
98	20909	Rear Stock Transition Dynamic	1
99	20943	Shroud Bushing with airvents Dynamic	1
100	19105	O-ring 25,0x2,5 NBR 70	1
101	Support Page	See schematic	1
102	20973	Seal Washer Guide M6 Dynamic	1
103	19186	O-ring 5,85x1,78 NBR 70	1
104	19791	Manometer 27mm WIKA 300bar	1
105	19776	Black sleeve for manometer Impact	2
106	19775-1	Manometer 27mm WIKA 250bar	1
107	5172	M6x50 Head	2



ITEM NO.	PartNo	DESCRIPTION	QTY.
1	19109	O-ring 4x1,5 NBR 70	1
2	21070	Regulator piston Dynamic	1
3	2570	Washer 10x4,2x0,5	8
4	19790	O-ring 10,0 x 1,5 NBR 90	1
5	5138	O-ring 4,0 x 1,5 NBR 90	1
6	20400	Plastic gasket Regulator piston	1
7	19697-1	Regulator housing Impact/Crown	1
8	19225	O-ring 7,5x2,0 NBR 70	1
9	19731	O-ring 2x1 NBR 90	2
10	19695	Regulator Screw Impact	1
11	2572	Washer 10x4,2x0,6	3
11-12ft	2572	Washer 10x4,2x0,6	2
12-12ft	2574	Washer 10x4,2x0,4	6
13-12ft	2570	Washer 10x4,2x0,5	3

ITEM NO.	PartNo	DESCRIPTION	QTY.
1	5158	O-ring 3,5x1 NBR 70	1
2	19108	O-ring 8,0 x 1,0 NBR 90	1
3	20923	Valve Seat Dynamic	1
4	19790	O-ring 10,0 x 1,5 NBR 90	1
5	20924	Valve Pin Dynamic	1
6	20926	Valve Seal Dynamic	1
7	19850	Spring 0,5x4x20	1
8	20959	Spring Seat 3,1mm Dynamic	1
9	5107	O-ring 2,9 x 1,78 PUR 90	1
10	20925	Valve Housing Dynamic	1
11	19763	O-ring 9x1,5 NBR 90	1

ITEM NO.	PartNo	DESCRIPTION	QTY.
1	21908	Trigger wheel arm Match Dynamic Mk2	1
2	21919	Match trigger house Dynamic Mk2	1
3	2504	Countersunk screw M3x6	2
4	2500	Grub screw M3x6	1
5	16092	Grub screw M3x4	2
6	21910	Triggerbase Match Dynamic Mk2	1
7	5163-35	Red Cord 3x3,5mm	4
8	10346	Triggerpin 11mm Adjustable	1
9	19136	Adjustable trigger blade	1
10	21909-1	Triggerwedge Match Dynamic Mk2	1
11	19042	Cylindrical pin 2mx6x8	2
12	11508	Grub screw M3x10	1
13	19178	Screw M2x4	1
14	12035	Grub screw M2,5x2,5	2
15	21122	Trigger AR Dynamic Mk2	1

ITEM NO.	PartNo	DESCRIPTION	QTY.
1	5107	O-ring 2,9 x 1,78 PUR 90	1
2	19005	Stainless Inlet valve rod - (former blue)	1
3	19720	O-ring 10,0 x 1,0 NBR 90	1
4	16303	Quick connector short	1
5	4528	O-ring 7,66 x 1,78 NBR 70	1
6	19910	Dust Cover - Quick Connection	1

ITEM NO.	PartNo	DESCRIPTION	QTY.
1	10293	Quick adjustment guide Impact M3	1
2	1147	Spring 0,3xmax2,5ydx20x23,5nt	1
3	10291	Quick adjustment axle Impact M3	1
4	10292	Quick adjustment wheel Impact M3	1
5	12035	Grub screw M2,5x2,5	1
6	20050	Hammer Adjuster Dynamic	1

