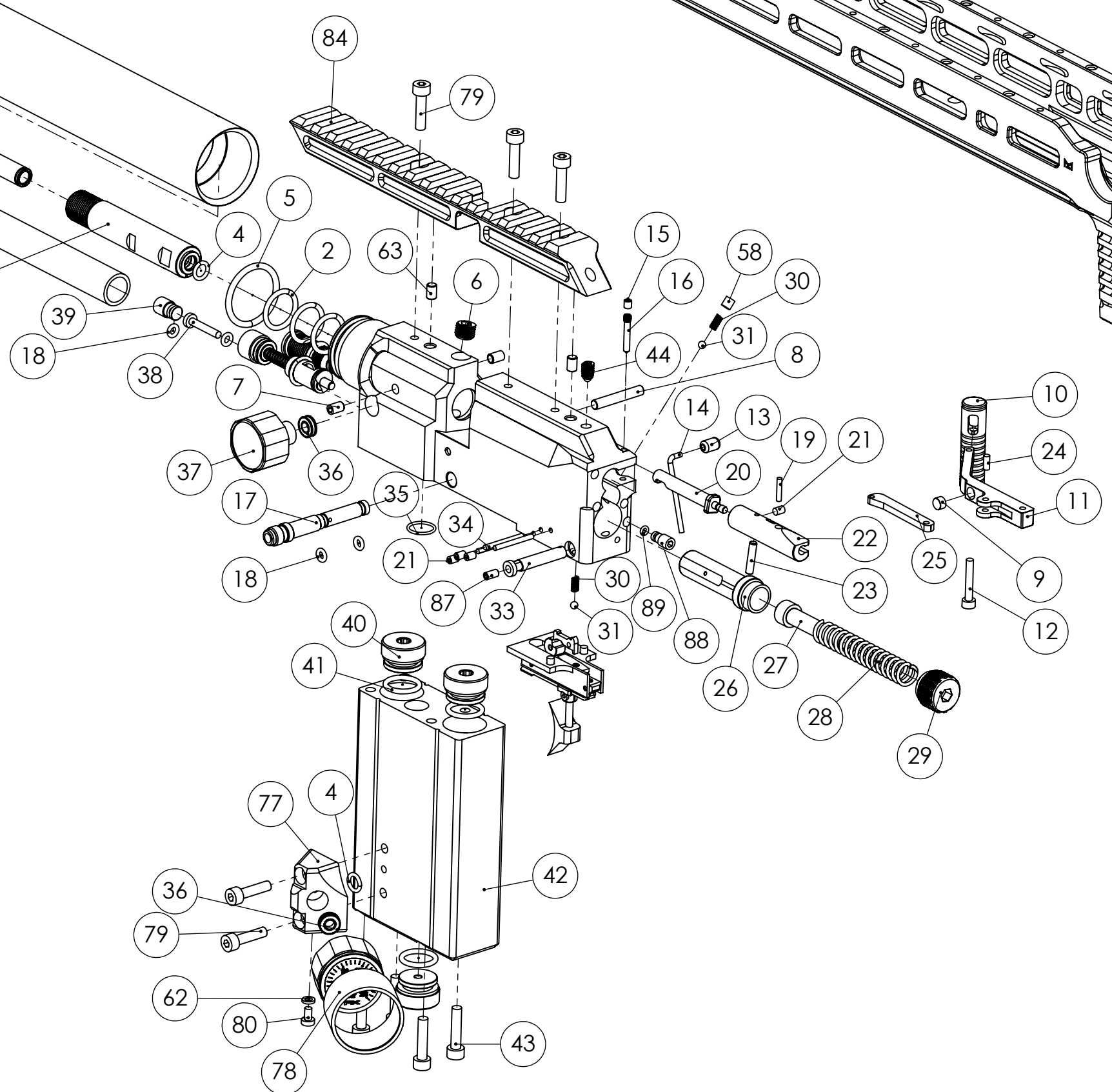
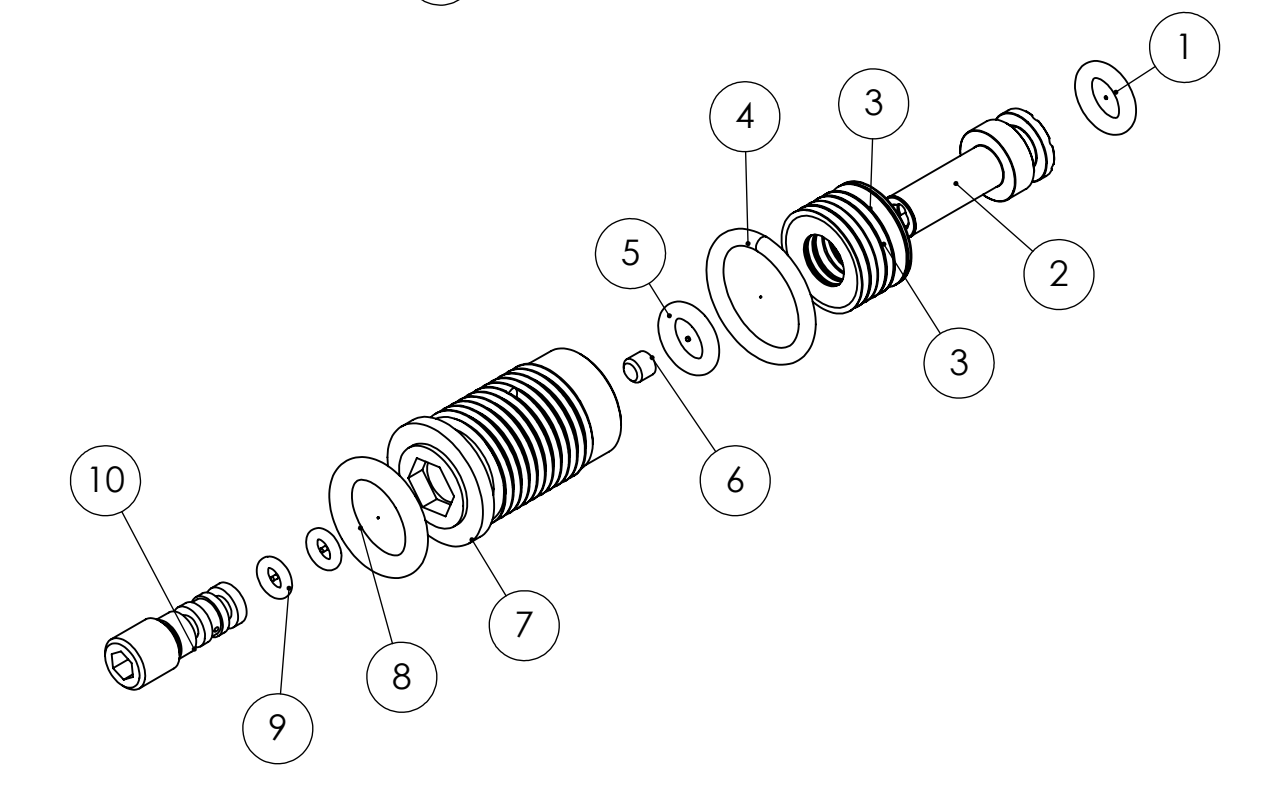


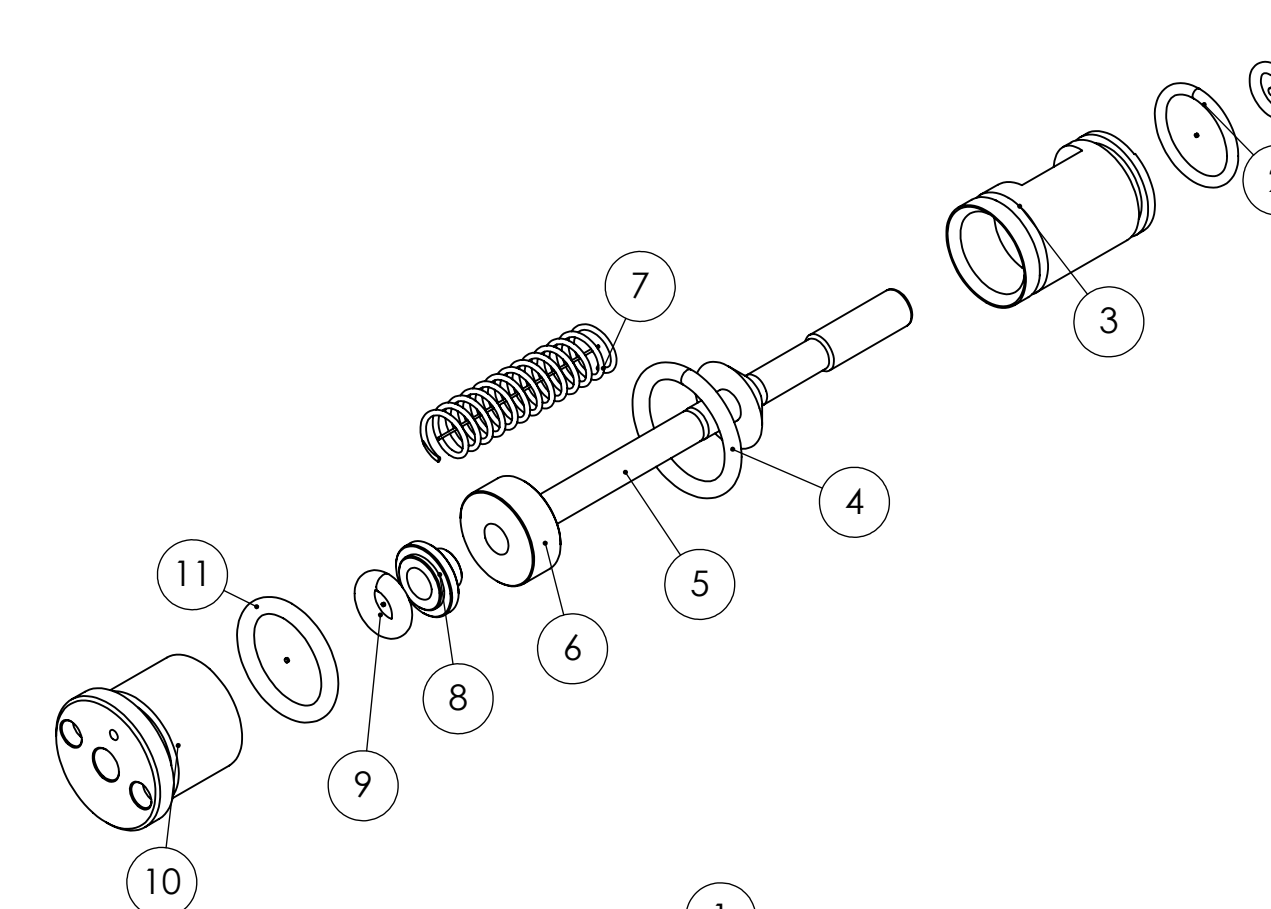
| ITEM NO. | PartNo       | DESCRIPTION                     | QTY. |
|----------|--------------|---------------------------------|------|
| 1        | 20945        | Muzzle Thread Cover             | 1    |
| 2        | 19950        | O-ring 14,0 x 2,0 NBR 70        | 4    |
| 3        | Support Page | See Schematic                   | 1    |
| 4        | 19726        | O-ring 5,5x1,5 NBR70            | 2    |
| 5        | 19485        | O-ring 23,0x2,5 NBR 70          | 2    |
| 6        | 19955        | Grub screw M8x6                 | 1    |
| 7        | 2501         | Cup point grub screw M4x6       | 2    |
| 8        | 19716        | Grub screw M4x25                | 1    |
| 9        | 16100        | Magnet 3x5                      | 1    |
| 10       | 19611        | Sidelever handle                | 1    |
| 11       | 20064        | Sidelever                       | 1    |
| 12       | 11060        | Socket head cap screw M3x18     | 1    |
| 13       | 11200        | Safety knob                     | 1    |
| 14       | 11625        | Safety lever                    | 1    |
| 15       | 2562         | Cup point grub screw M3x3       | 1    |
| 16       | 19034        | screw M3 Grub - Special         | 1    |
| 17       | 21733        | Fillprobe MkIII                 | 1    |
| 18       | 5190         | O-ring 3,0 x 1,5 NBR 70         | 3    |
| 19       | 19213        | Cylindrical pin 2h6x10          | 1    |
| 20       | Support Page | See Schematic                   | 1    |
| 21       | 16092        | Grub screw M3x4                 | 4    |
| 22       | 21730        | Carrier DRS                     | 1    |
| 23       | 19490        | Cylindrical pin 3h6x14          | 1    |
| 24       | 19026        | Cylindrical pin 2,5m6x6         | 1    |
| 25       | 19935        | Linkage                         | 1    |
| 26       | 19039        | Hammer                          | 1    |
| 27       | 11540        | Hammer weight                   | 1    |
| 28       | 2604         | Hammerspring 52mm               | 1    |
| 29       | 21801        | Hammer spring adjuster          | 1    |
| 30       | 11501        | Spring 0,5x2,5x6,1              | 2    |
| 31       | 4066         | Steel ball 3mm                  | 2    |
| 32       | 21093        | Trigger Sear                    | 1    |
| 33       | 20056        | Safety Pivot                    | 1    |
| 34       | 11502        | Cylindrical pin 2h6x20          | 3    |
| 35       | 19720        | O-ring 10x1 NBR 90              | 1    |
| 36       | 19762        | X-ring 3,63x2,62 NBR 70         | 2    |
| 37       | 19774        | Pressure Gauge 23mm             | 1    |
| 38       | 19329        | Inlet valve rod "gold"          | 1    |
| 39       | 21732        | Brass plug                      | 1    |
| 40       | 21731        | Plenum Plug                     | 3    |
| 41       | 19226        | O-ring 12x2 NBR 70              | 3    |
| 42       | 21729        | Magazine Plenum                 | 1    |
| 43       | 5193         | Screw M4x18                     | 4    |
| 44       | 10374        | Second stage trigger screw M5   | 1    |
| 45       | 11527        | Steel ball 3,175                | 1    |
| 46       | 5565         | Spring 0,32x2,5x4,8             | 1    |
| 47       | 19109        | O-ring 4x1,5 NBR 70             | 1    |
| 48       | 21070        | Regulator Piston                | 1    |
| 49       | 2570         | Washer 10x4,2x0,5               | 8    |
| 50       | 19790        | O-ring 10,0 x 1,5 NBR 90        | 1    |
| 51       | 5138         | O-ring 4,0 x 1,5 NBR 90         | 1    |
| 52       | 20400        | Plastic gasket Regulator piston | 1    |
| 53       | 19697-1      | Regulator housing               | 1    |
| 54       | 19225        | O-ring 7,5x2,0 NBR 70           | 1    |
| 55       | 19731        | O-ring 2,0x1,0 NBR90            | 2    |
| 56       | 19695        | Regulator Screw                 | 1    |
| 57       | 2572         | Washer 10x4,2x0,6               | 3    |
| 58       | 3007         | Grub screw M4x4                 | 1    |
| 59       | 20938        | Valvetube End, Plenum           | 1    |
| 60       | 21852        | Moderator 8,5mm                 | 1    |
| 61       | 19952        | O-ring 5,23 x 2,62 NBR 70       | 1    |
| 62       | 19736        | Plastic Washer 5,3x3,1x1        | 1    |
| 63       | 21132        | Cylindrical pin 4m6x6           | 2    |
| 64       | 19165        | Match trigger house             | 1    |
| 65       | 19167        | Match trigger rail              | 1    |
| 66       | 19168        | Match trigger wedge             | 1    |
| 67       | 19137        | Trigger pin                     | 1    |
| 68       | 19136        | Adjustable trigger blade        | 1    |
| 69       | 19166        | Match trigger wheel base        | 1    |
| 70       | 11525        | Trigger wheel                   | 1    |
| 71       | 12035        | Grub screw M2,5x2,5             | 1    |
| 72       | 2562         | Cup point grub screw M3x3       | 4    |
| 73       | 19178        | Screw M2x4                      | 1    |
| 74       | 2518         | Cylindrical pin 2h6x8           | 2    |
| 75       | 19214        | Countersunk screw M3x5          | 2    |
| 76       | 19742        | Grub screw M3x8                 | 1    |
| 77       | 10328        | Angled Manometer Mount          | 1    |
| 78       | 19776        | Black sleeve for manometer      | 1    |
| 79       | 5201         | Socket head cap screw M4x16     | 5    |
| 80       | 19715        | Socket head cap screw M3x5      | 1    |
| 81       | Support Page | See Schematic                   | 1    |
| 82       | Support Page | See Schematic                   | 1    |
| 83       | Support Page | See Schematic                   | 1    |
| 84       | 21781        | Dove Picatinnyrail high         | 1    |
| 85       | 2552         | Screw M3x4 Countersunk          | 1    |
| 86       | 19776        | Manometer 27mm WIKA             | 1    |
| 87       | 2500         | Grub screw M3x6                 | 1    |
| 88       | 10335        | Brass adapter                   | 1    |
| 89       | 19761        | O-ring 2,2x1 NBR 70             | 1    |
| 90       | Support Page | See Schematic                   | 1    |



| ITEM NO. | PartNo  | DESCRIPTION                     | QTY. |
|----------|---------|---------------------------------|------|
| 1        | 19109   | O-ring 4x1,5 NBR 70             | 1    |
| 2        | 21070   | Regulator Piston                | 1    |
| 3        | 2570    | Washer 10x4,2x0,5               | 8    |
| 4        | 19790   | O-ring 10,0 x 1,5 NBR 90        | 1    |
| 5        | 5138    | O-ring 4,0 x 1,5 NBR 90         | 1    |
| 6        | 20400   | Plastic gasket Regulator piston | 1    |
| 7        | 19697-1 | Regulator housing               | 1    |
| 8        | 19225   | O-ring 7,5x2,0 NBR 70           | 1    |
| 9        | 19731   | O-ring 2,0x1,0 NBR90            | 2    |
| 10       | 19695   | Regulator Screw                 | 1    |
| 11       | 2572    | Washer 10x4,2x0,6               | 3    |



| ITEM NO. | PartNo | DESCRIPTION              | QTY. |
|----------|--------|--------------------------|------|
| 1        | 5158   | O-ring 3,5x1 NBR 70      | 1    |
| 2        | 19108  | O-ring 8,0 x 1,0 NBR 90  | 1    |
| 3        | 20923  | Valve Seat               | 1    |
| 4        | 19790  | O-ring 10,0 x 1,5 NBR 90 | 1    |
| 5        | 20924  | Valve Pin                | 1    |
| 6        | 20926  | Valve Seal               | 1    |
| 7        | 19850  | Spring 0,5x4x20          | 1    |
| 8        | 20959  | Spring Seat 3,1mm        | 1    |
| 9        | 5107   | O-ring 2,9 x 1,78 PUR 90 | 1    |
| 10       | 20925  | Valve Housing            | 1    |
| 11       | 19763  | O-ring 9x1,5 NBR 90      | 1    |



| ITEM NO. | PartNo | DESCRIPTION               | QTY. |
|----------|--------|---------------------------|------|
| 1        | 19165  | Match trigger house       | 1    |
| 2        | 19167  | Match trigger rail        | 1    |
| 3        | 19168  | Match trigger wedge       | 1    |
| 4        | 19137  | Trigger pin               | 1    |
| 5        | 19136  | Adjustable trigger blade  | 1    |
| 6        | 19166  | Match trigger wheel base  | 1    |
| 7        | 11525  | Trigger wheel             | 1    |
| 8        | 12035  | Grub screw M2,5x2,5       | 1    |
| 9        | 2562   | Cup point grub screw M3x3 | 4    |
| 10       | 19178  | Screw M2x4                | 1    |
| 11       | 2518   | Cylindrical pin 2h6x8     | 2    |
| 12       | 19214  | Countersunk screw M3x5    | 2    |
| 13       | 19742  | Grub screw M3x8           | 1    |
| 14       | 2552   | Screw M3x4 Countersunk    | 1    |

