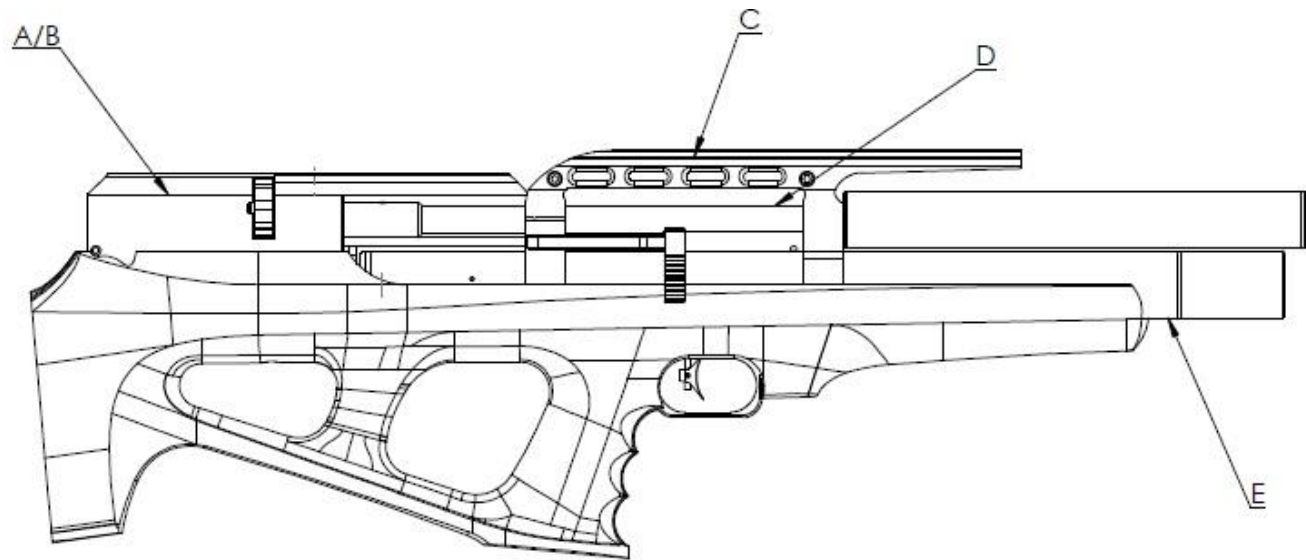
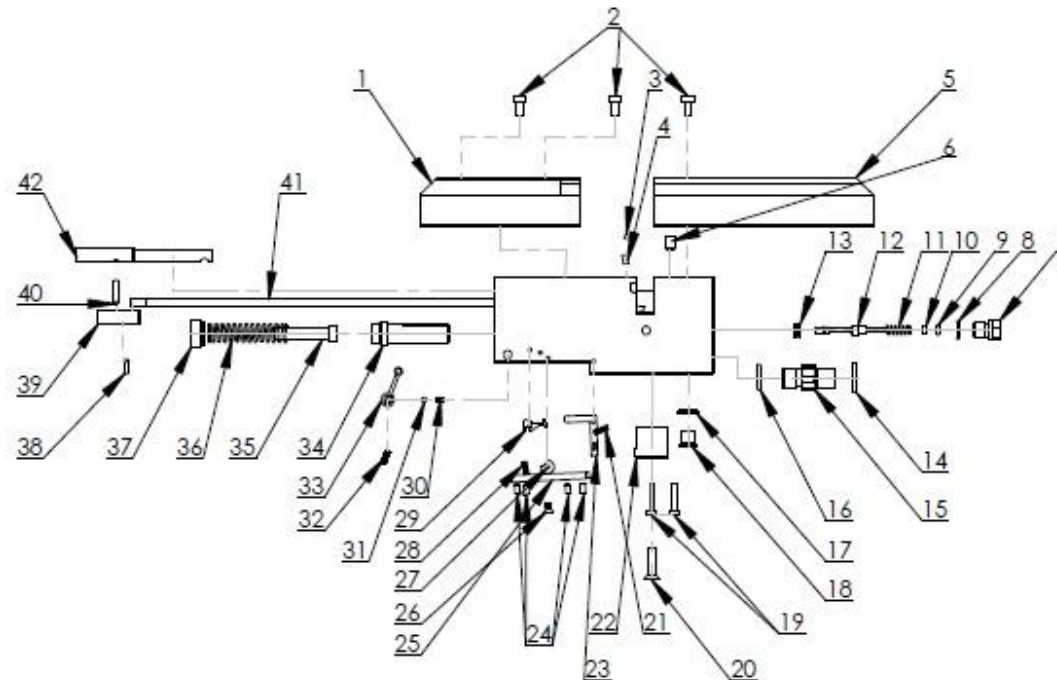


Model	Other model names	Date	Revision	Revision date
FX Wildcat		2018-07-09	EN.18.01	2019-01-30

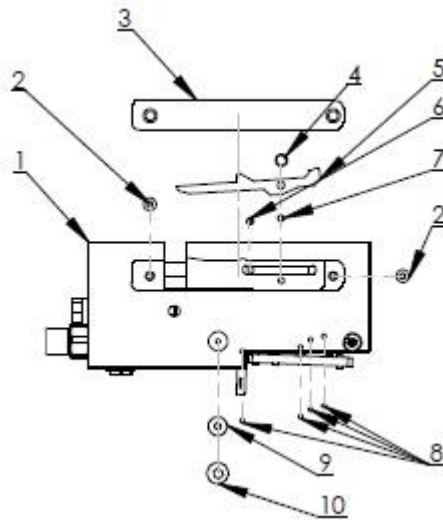


A

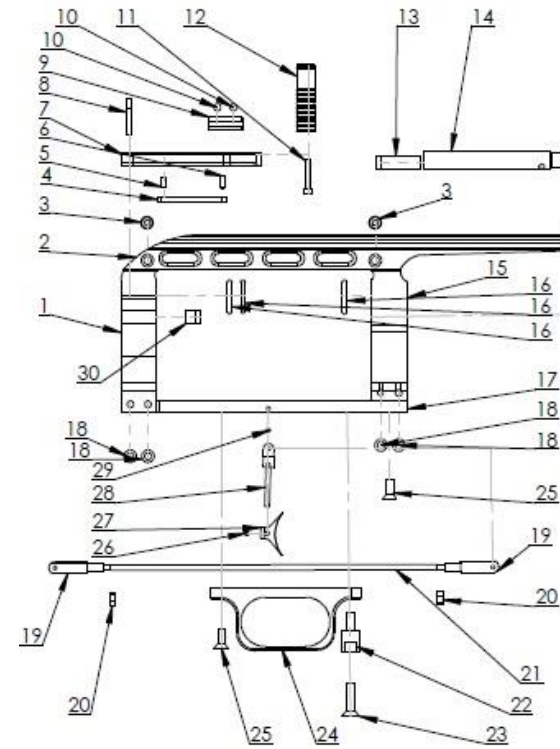


Model	Other model names	Date	Revision	Revision date
FX Wildcat		2018-07-09	EN.18.01	2019-01-30

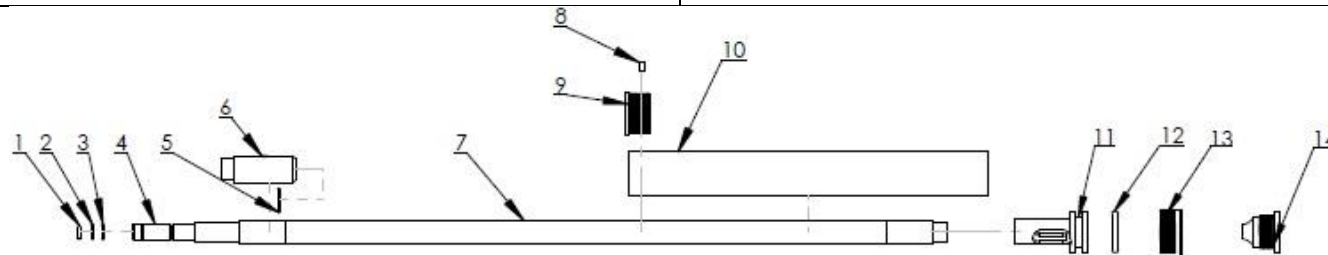
**B**



**C**



**D**



**E**



Model	Other model names	Date	Revision	Revision date
FX Wildcat		2018-07-09	EN.18.01	2019-01-30

NO	ART. NO	DESCRIPTION	NO	ART. NO	DESCRIPTION	NO	ART. NO	DESCRIPTION
A1	19521	Cheekrest back	A36-12ft/p	11500	Hammerspring v3,v4	C16	12045	O-ring 13,95x2,62
A2	19480	M4x10	A36-10J	16024	Spring 1x7x65	C17	19526	Triggerplate Wildcat
A3	19185	Steelball 2,38	A36-HP	19581	Hammerspring v2	C18	5201	Mc6s4x16
A4	16100	Magnet 3x5	A37-6,35	11541	Hammerspring adjuster HP	C19	19574	M3 metalclevis
A5	19522	Cheekrest front	A37	11030	Hammerspring guide/adjuster	C20	19482	M3 Nut
A6	19086	Grub Screw M6x8	A38	19491	Cpk 3m6x6	C21	19518	Triggerrod
A7-HP	19508	Valve house Hp	A39	19501	Guide connector	C22	19547	Kuts m5-m4
A7-10j/12ft/p	19508-1	Valve house 10j/12Ft/p	A40	19490	Cpk 3h6x14	C23	19483	Countersunk screw m5x16
A8	4528	O-ring 7,66x1,78 NBR70	A41	19516	Reloading Rod	C24	15008	Triggerguard straight
A9-HP	5111	O-ring 2,5x1,5 NBR90	A42-4,5	19520	Feedingpin 4,5	C25	2505	Countersunk screw M4x10
A10-HP	19550	Delring Washer Valvepin	A42-5,5	19517	Feedingpin 5,5	C26	12035	Grubscrew m2,5x2,5
A11	2525	Spring 0,6x4x15	A42-6,35	19502	Feedingpin 6,35	C27	19136	Adjustable Triggerblade
A11-10J/12Ft	19580	0,75x4x20	B2	19599	Breech block wildcat	C28	19506	Trigger bracket wildcat
A12	7052	Complete Wildcat Valvepin	B2	2504	M3x6 Countersunk screw	C29	19213	Cpk 2h6x10
A13	19060	Complete Valveseat Shp	B3	19572	Reloading plate wildcat	C30	19541	Delrin bushing wildcat
A14	11507	Rubbersteelwasher	B4	2520	Spring 0,5x4x7	D1-4,5	2529	O-ring 4,3x1,5 NBR 70
A15	19505	Tubeconnector	B5	19571	Magazine catch wildcat	D1-5,5	5108	O-ring 5,28x1,78 Pur 70
A16	19486	O-ring 8,3x2,4 NBR 70	B6	19549	M3 indexing screw	D1-6,35	4526	O-ring 6,35x1,27 NBR70
A17	19499	Rubbersteel washer m7	B7	11508	Grubscrew m3x8	D2	5112	O-ring 5,28x1,78 NBR70
A18	19510	Plug m7	B8	11502	CPK 2h6x20	D3	5112	O-ring 5,28x1,78 NBR70
A19	11060	Mc6s m3x18	B9	5005	Plastic washer 2mm	D4-4,5	2057	Barrel inlet 4,5
A20	19483	Mc6s m5x16	B10	19548	Brass plug g1/8"	D4-5,5	2056-2	Barrel inlet 5,5 SHP
A21	19498	Spring 0,2x2,5x13,1	C1	19523	Barrelsupport back	D4-6,35	19104	Barrel inlet 6,35 SHP
A22	19515	Stock Adapter	C2	19525	Rail wildcat	D5	19226	O-ring 12x2 NBR 90
A23	19527	L Trigger Wildcat	C3	4509	M5x20mm	D6	19509	Barrelsupport Wildcat
A24	2500	Grub screw m3x6	C4	19021	Linkage v7	D7-4,5	12030	Barrel 485mm 4,5
A25	19528	Triggerbase wildcat	C5	19026	CPK 2,5m6x6	D7-5,5	12006	Barrel 485mm 5,5
A26	2504	Countersunkscrew m3x6	C6	19042	CPK 2m6x8	D7-6,35	19106	Barrel 600m 6,35
A27	11525	Triggerwheel	C7	19529	Cocking lever v7 wildcat	D8	11201	Grubscrew m5x4
A28	5204	spring 0,5x3x15	C8	19034	M3 Special v7	D9	19103	Shroud adapter
A29	11031	Trigger Sear v7, v8	C9	19507	Reload Sliding bracket	D10-4,5-5,5	19099	Shroud 345mm
A30	11503	Spring 0,5x2,5x4,4	C10	2637	Grubscrew m4x6mm	D10-6,35	19142	Shroud 447mm
A31	4066	3mm Steelball	C11	11060	Mc6s M3x18	D11-4,5 5,5	19028	Shroud compensator
A32	11508	Grubscrew M3x8	C12	19611	Lever handle Wildcat	D11-6,35	19028-7,2	Shroud compensator 7,2
A33	9200	Safety complete	C13	19540	Bushing wildcat 25mm	D12	19098	O-ring 18x4 NBR 70
A34-HP 6,35	19039	Hammer v7	C14	19511	Reloadingbar guide	D13	18010	Muzzlethread
A35-HP	19215	Hammerweight 4mm	C15	19524	Barrelsupport front	D14-4,5	17023	Endcap 4,5

Model	Other model names	Date	Revision	Revision date
FX Wildcat		2018-07-09	EN.18.01	2019-01-30

D14-5,5	17000	Endcap 5,5	E7 - 4,5 & 5,5	19555	Tube 410mm	E17	19545	Delrin Bushin dustcover
D14-6,35	19112	Endcap 6,35	E7 - 6,35	19556	Tube 570mm		19495	Stock synthetic wc
E1	19543	Tube end back	E8	19035	Plugg 1/8 v7		19489	Buttpad Wildcat
E2	19485	O-ring 23,0x2,5 NBR 70	E9	19329	Check valve cone gold		1957	Magazine 4,5 wc
E3	19514	Distance regulator	E10	5111	O-ring 2,5x1,5NBR90		1958-1	Magazine 5,5 wc
E4	19497	O-ring 23,3x2,4 NBR 70	E11	19542	Tube end manometer		1959	Magazine 6,35 wc
E5	19512	Regulator seat wildcat	E12	19485	O-ring 23,0x2,5 NBR 70			
E6-5,5 6,35	19043-140	Regulator 140Bar	E13	19484	O-ring 24x2 NBR 70			
E6-4,5	19043-110	Regulator 110Bar	E14	5003	Plastic Bushing 4mm			
E6 12ft/p 4,5	19043-65	Regulator 65Bar	E15	11505	Manometer 25mm			
E6 12ft/p 10J	19043-55	Regulator 55Bar	E16	19544	Dust cover wildcat			