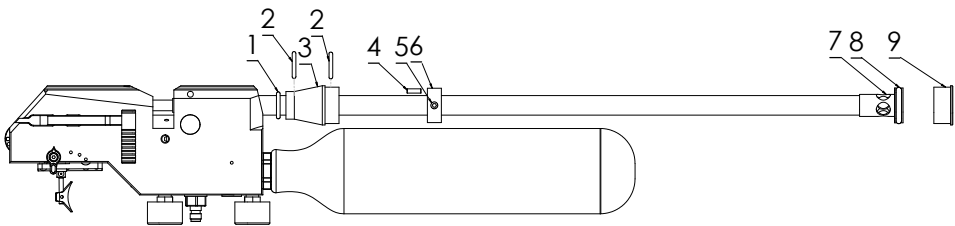
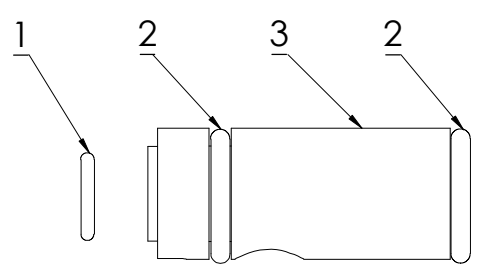
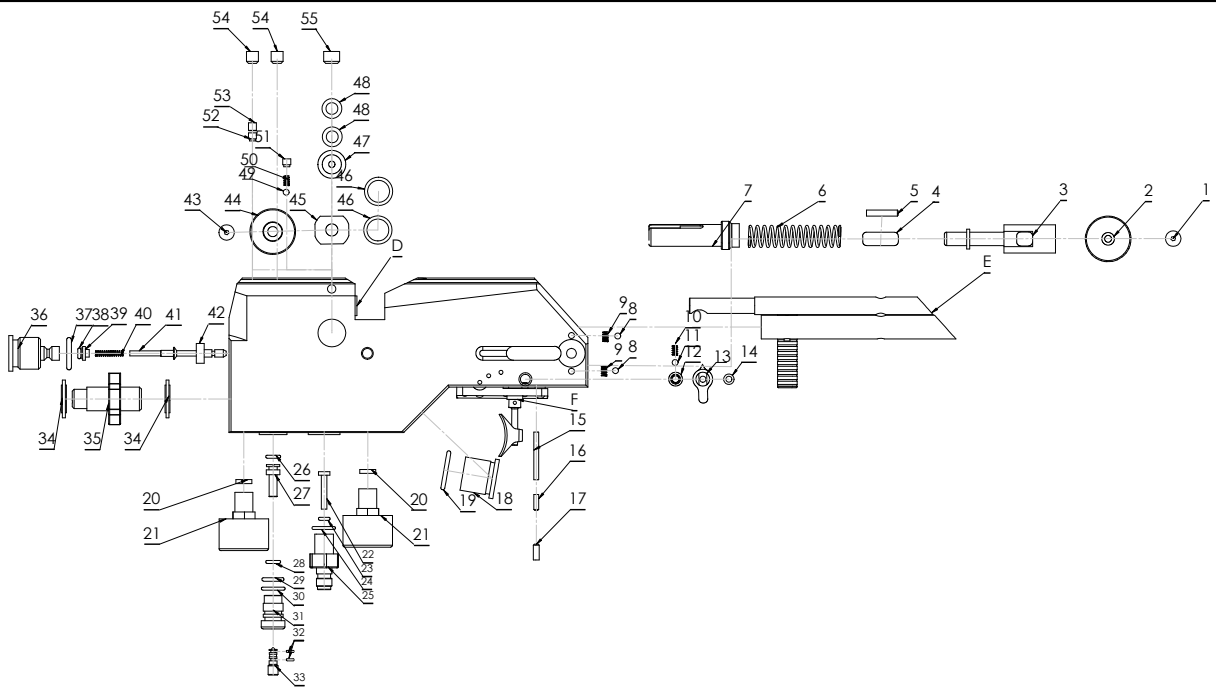
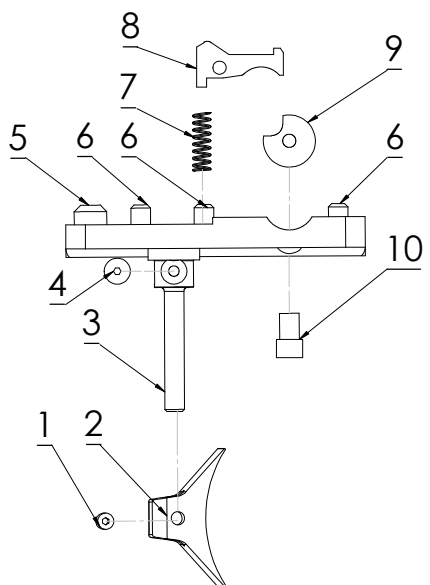
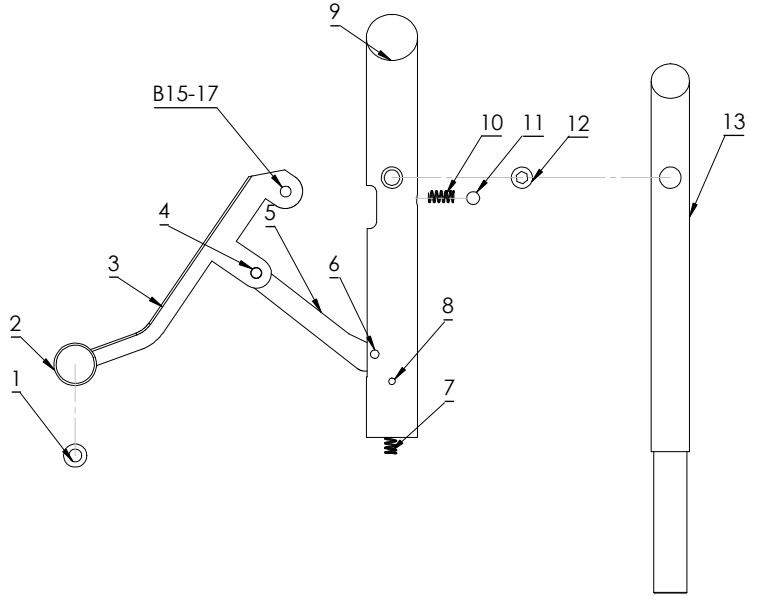


A.**B.****C.****D.****E.****F.**

Partslist FX Crown

Location	Article number	Description	Location	Article number	Description
A1-Walnut	19940	Crown Walnut Stock	D22	19329	Checkvalve rod "gold"
A1-Gray	19943	Crown Laminate Gray Stock	D23	5111	O-ring 2.5x1.5 NBR 90
A1-Green	19941	Crown Laminate Green Stock	D24	16028	O-ring 12x1 NBR 70
A1-Blue	19942	Crown Laminate Blue Stock	D25	19939	quickconnector Crown
A2	19901	Breechblock Crown	D26	19109	O-ring 4x1,5 NBR 70
A3-4,5 & 5,5	19142	Shroud tube 28x447mm	D27	19696	Regulator Kolv
A3-6,35 & 7,62	19975	Shroud tube 28x562mm	D28	19109	O-ring 4x1,5 NBR 70
A4	5532	Carbon Fibre bottle Complete	D29	19763	O-ring 9x1,5 NBR 90
B1	12045	O-ring 13.95x2.62 NBR 70	D30	4528	O-ring 7,66x1,78 NBR 70
B2	12045	O-ring 13.95x2.62 NBR 70	D31	19697	Regulator hus
B3	19925	Shroud-cone Crown	D32	19731	O-ring 2x1 NBR 90
B4	11509	CPK 3h6x10	D33	19695	Regulator Screw
B5	11201	Grubscrw M5x4	D34	11507	Rubbersteel washer M12
B6	19926	Shroudstop Crown	D35	19659	Bottle adapter
B7	19911	Shroud compensator 5,5	D36	19905	Valvehouse crown
B7	19912	Shroud compensator 6,35	D37	5109	O-ring 11,6x2,4 NBR 70
B7	19913	Shroud compensator 7,62	D38	5111	O-ring 2,5x1,5 NBR 90
B8	19951	O-ring 18x3,5 NBR 70	D39	19038	Springseat
B9- 4,5 & 5,5	19654	Muzzle 4,5 & 5,5	D40	2525	Spring 0,6x4x15
B9-6,35	19655	Muzzle 6,35	D41	19929	Valvepin Crown CPL
B9-7,62	19656	Muzzle 7,62	D42	19217	Valveseat CPL
C1-4,5	2529	O-ring 4,3 x 1,5 NBR 70	D43	16104	Countersunk screw M4x14
C1-5,5	19726	O-ring 5,5 x 1,5 NBR 70	D44	19915	Power adjuster house
C1-6,35	4526	O-ring 6,4 x 1,3 NBR 70	D45	19923	Poweradjuster outer crown
C1-7,62	19726	O-ring 7,5 x 1,5 NBR 70	D46	19081	O-ring 11,1x1,6 NBR 70
C2	19703	O-ring 10x2 NBR 70	D47	19922	Power adjuster inner Crown
C3	19628	Barrel inlet 4,5	D48	19228	O-ring 6x2 NBR 70
C3	19629	Barrel inlet 5,5	D49	4066	Steel Ball 3mm
C3	19670	Barrel inlet 6,35	D50	11501	Spring 0,5x2,5x6,1
C3	19671	Barrel inlet 7,62	D51	2637	Grub screw M4x6 tapp
D1	2508	Countersunk screw M3x10	D52	2637	Grub screw M4x6 tapp
D2	19908	Power adjuster Crown	D53	2637	Grub screw M4x6 tapp
D3	19902	Springholder Crown	D54	19846	Grub screw M6x6
D4	19909	Hammer adjuster	D55	19955	Grub screw M8x6
D5	19683	Grubscrw M3x18	E1	12035	Grub screw M2.5x2.5
D6	11500	Hammerspring v2	E2	19136	Triggerblade
D7	19039	Hammer v7	E3	19137	Triggerpin
D8	11501	Spring 0,5x2,5x6,1	E4	19178	MC6s M2x4
D9	4066	Steelball 3mm	E5	11015	Second stage
D10	11501	Spring 0,5x2,5x6,1	E6	19678	Grub screw M3x6
D11	4066	Steelball 3mm	E7	11544	1st stage spring
D12	19907	Safety Crown	E8	19934	Trigger sear Crown
D13	19906	safetyflag Crown	E9	11525	Trigger roll
D14	11546	MC6S M3x14	E10	19927	Screw trigger roll
D15	1501	CPK 2,5m6x24	F1	19479	MC6S M3x16
D16	19026	CPK 2,5m6x6	F2	19611	Reloading handle
D17	11508	Grub screw M3x10	F3	19638	Reloading arm
D18	19904	Plugg M18x1	F4	19026	CPK 2.5m6x6
D19	19950	O-ring 14x2 NBR 70	F5	19935	Linkage Crown
D20	19723	Plastic washer	F6	19601	CPK 2h6x6
D21	11505	Manometer	F7	11544	Spring 0,75x5x20

F8	11509	CPK 3h6x10	F13-7,62	19920	Feedingpin Crown 7,62
F9	19921	Carrier			
F10	11503	Spring 0,5x2,5x4,4			
F11	4066	Steelball 3mm			
F12	19914	Feedingpin Screw			
F13-4,5	19917	Feedingpin 4,5 Crown			
F13-5,5	19918	Feedingpin 5,5 Crown			
F13-6,35	19919	Feedingpin 6,35 Crown			