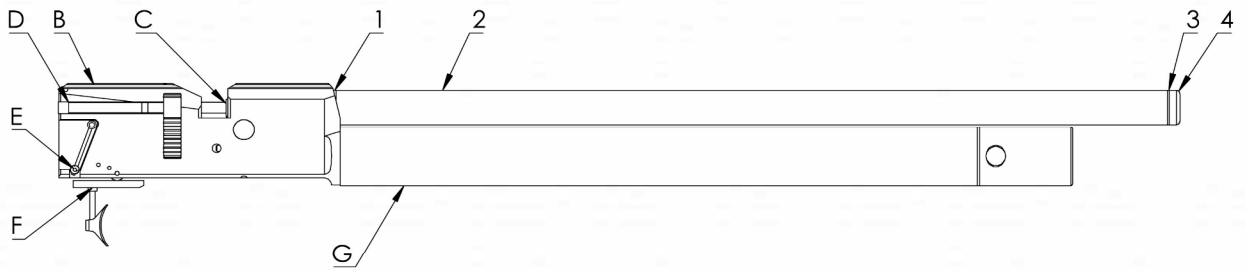
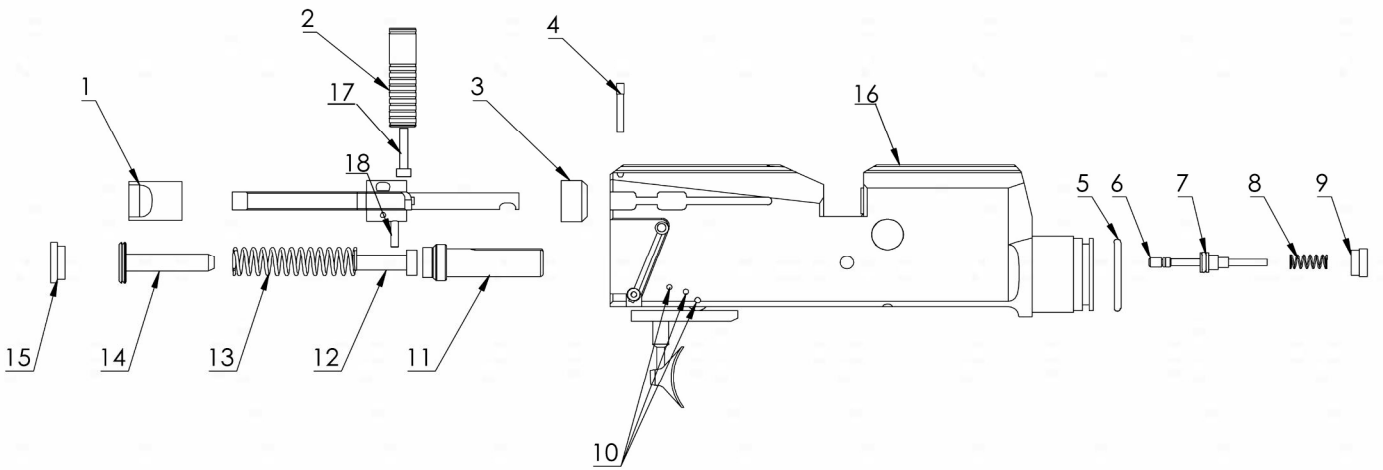




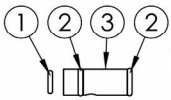
A.



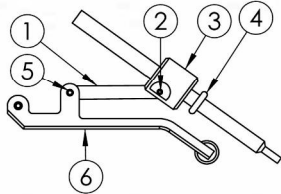
B.



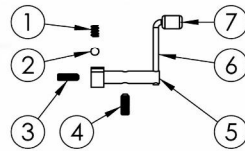
C.



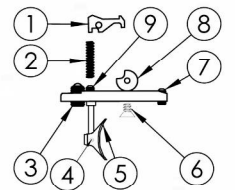
D.



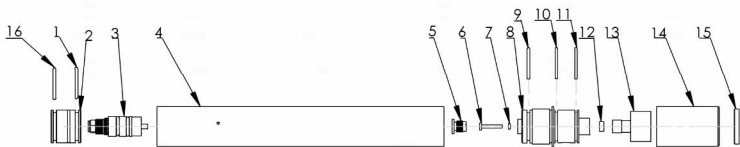
E.



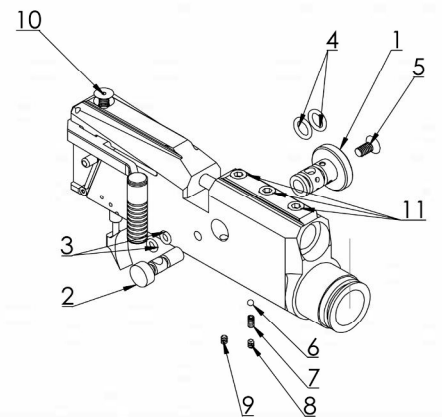
F.



G.



H.



Partslist FX Streamline

Location	Article number	Description	Location	Article number	Description
A1	19802	Shroud Guide 20mm	E5	11027	Safety Pivot
A2 - 4,5 - 5,5	19868	Shroud 470mm	E6	19860	Safety Lever
A2 - 6,35	19867	Shroud 585mm	E7	11200	Safety Handle
A3 - 4,5 - 5,5	19807	Shroud Compensator	F1	19177	Trigger Sear
A3 - 6,35	19810	Shroud Compensator 6,35	F2	11504	Spring 1:st Stage
A4	19821	Muzzle-thread cover	F3	11062	Adjuster screw 2:stage
B1	19029	Pelletprobe Guide	F4	12035	Grub screw M2,5x2,5
B2	19611	Sidelever handle	F5	19136	Trigger blade
B3 - 4,5	19823	Probe Guide 4,5	F6	19214	Countersunk screw m3x5
B3 - 5,5	19820	Probe Guide 5,5	F7	2500	Grub Screw M3x6
B3 - 6,35	19819	Probe Guide 6,35	F8	11525	Trigger Wheel
B4	19034	Screw M3 "special"	F9	19809	Trigger Pin
B5	19485	O-ring 23x2,5 NBR 70	F10	11524	Trigger Base
B6	19816C	Valve pin Streamline Complete	G1	19497	O-ring 23,3x2,4 NBR 70
B7	19060	Valve seat SHP Complete	G2	19514	Distance Regulator
B8 - 24J>	19850	Spring 0,5x4x20	G3	19043	Regulator
B8 - >16J	19580	Spring 0,75x4x20	G4 - 4,5 - 5,5	19830	Tube 34x360
B9	19803	Valve Holder	G4 - 6,35	19831	Tube 34x475
B10	19040	Pivot pin 2x24	G5	19530	Plug 1/8
B11	19039	Hammer	G6	19329	Inlet-valve Rod (Gold)
B12 - 5,5 24J>	19215	Hammer Weight	G7	5111	O-ring 2,5x1,5 NBR 90
B12 - 6,35 24J>	19215	Hammer Weight	G8	19542	Tube end manometer
B13	11500	Hammer Spring	G9	19485	O-ring 23,0x2,5 NBR 70
B14 - >16J + 4,5	11030	Hammer Spring Adjuster	G10	19484	O-ring 24,0x2,4 NBR 70
B14 - 24J>	11541	Hammer Spring Adjuster	G11	19484	O-ring 24,0x2,4 NBR 70
B15 (uk)	16043	Anti-Tamper (uk)	G12	5003	Plastic Bushing 4mm
B16	19801	Main Block	G13	11505	Manometer 25mm
B17	19683	Grubscrew M3x18	G14	19544	Dust Cover
B18	19840	Pivot Pin 3x14	G15	19545	Delrin Bushing
C1 - 4,5	2529	O-ring 4,3x1.5 NBR 70	G16	19497	O-ring 23x2,5 NBR 70
C1 - 5,5	19726	O-ring 5,5x1,5 NBR 70	H1	19804	Power-adjuster outer
C1 - 6,35	4526	O-ring 6,4x1,3 NBR 70	H2	19805	Power-adjuster inner
C2	19703	O-ring 10,0x2,0 NBR 70	H3	19836	O-ring 4,1x1,6 NBR70
C3 - 4,5	19817	Barrel Inlet 4,5	H4	19835	O-ring 8x2 NBR70
C3 - 5,5	19815	Barrel Inlet 5,5	H5	2505	Countersink Screw M4x10
C3 - 6,35	19822	Barrel Inlet 6,35	H6	4066	Steel Ball 3mm
D1	19021	Linkage	H7	11501	Spring 0,5x2,5x6,1
D2	19042	Pivot Pin 2x8	H8	2501	Grubscrew M4x6mm
D3	19011	Pelletprobe 4,5	H9	2637	Grubscrew M4x6mm flat
D3	19010	Pelletprobe 5,5	H10	19025	Grubscrew M5x8mm
D3	19192	Pelletprobe 6,35	H11	19846	Grubscrew M6x6
D4	19171	O-ring 4x2 NBR70	Stock	19862C	Synthetic Stock
D4	19332	O-ring 5x2 NBR70	Stock	2510	Synthetic Stock Mounting Screw
D4	19228	O-ring 6x2 NBR70	Stock	16044	Synthetic Stock Mounting Spacer
D5	19026	Pivot Pin 2,5x6	Stock	19863C	Walnut Stock
D6	19638	Sidelever	Stock	19864C	Laminate Stock
E1	11503	Spring 0,5x2,5x4,4	Stock	11523	Wooden Stock Mounting Screw
E2	4066	Steelball 3mm	Stock	15008	Triggerguard
E3	11633	Grub Screw M2,5x8	Stock	19845	Triggerguard Screw Front
E4	11508	Grub Screw M3x10	Stock	11622	Triggerguard Screw Rear